



Characteristics



- Energy saving heat pump air curtains: Up to 70% reduction in costs and CO₂ emissions (heating mode).
- Specially designed for applications where the body of the air curtain is to be installed inside a column or bulkhead for architectural reasons. It can be vertically or horizontally mounted.
- Self-supporting casing construction made of galvanized steel plate, finished in structural epoxy-polyester painting white colour RAL9016 as standard. Other colours or stainless steel are available on request.
- The air flow of Invisair follows a straight line from the air inlet grille to the discharge. Inlet area inside a bulkhead or column should be designed with suitable grille provided by others.
- Anodized aluminium outlet vanes, airfoil shaped, adjustable from 0 to 15° each side.
- EC Double-inlet centrifugal fans driven by an external rotor motor and low noise level, with very low consumption efficiency fans.
- Includes direct expansion coil with sensors. Optional condensate water pump.
- CS-5DX-NE Plug&Play control with 5 speeds and telephone cable 7m included.
- Requires PANASONIC DX Interface KIT adapted for air curtain and programmable control, please consult.
- Ready to connect to PANASONIC Inverter outdoor heat pump unit (R32) with expansion valve, not included, the customer should purchase it.

Specifications

Model	Airflow m ³ /h	Outdoor Unit 230Vx1	Outdoor Unit 400Vx3	Power Fan 230V-50Hz kW	Current Fan 230V-50Hz A	Noise Level (5 m) dB(A)	Weight kg
IECG 1500 DX14-PA	2920	U-125PZH2E5	U-125PZH2E8	0,284	2,48	62	69
IECG 1500 DX14-PA	2920	U-140PZ2E5	U-140PZ2E8	0,284	2,48	62	69
IECG 2000 DX22-PA	4380	-	U-200PZH2E8	0,426	3,72	63	89
IECG 2500 DX28-PA	5110	-	U-250PZH2E8	0,497	4,34	64	94

PANASONIC Inverter Outdoor Units Standard / Elite	Heating Capacity kW	Heating Power kW	SCOP or COP	Cooling Capacity kW	Cooling Power kW	SEER or EER	Power Supply	Pipes		Pipes Maximum Length m	Pipes Maximum Height m
								Gas	Liquid		
								inch			
U-140PZ2E5	14,00	3,69	3,54	14,00	4,40	5,38	230Vx1	5/8	3/8	50	30
U-140PZ2E8	14,00	3,69	3,54	14,00	4,40	5,37	400Vx3	5/8	3/8	50	30
U-125PZH2E5	14,00	3,48	4,26	12,50	3,55	5,88	230Vx1	5/8	3/8	85	30
U-125PZH2E8	14,00	3,48	4,26	12,50	3,55	5,87	400Vx3	5/8	3/8	85	30
U-200PZH2E8	22,40	6,21	3,61	19,50	6,06	5,25	400Vx3	1	3/8	90	30
U-250PZH2E8	28,00	8,21	3,64	23,20	7,46	4,84	400Vx3	1	1/2	60	30

Energy efficiency: SCOP/SEER seasonal ≤12kW, COP/EER >12kW.

Outdoor unit capacities depending on standard conditions: heating 20°CDB indoor / 7°CDB and 6°CWB outdoor, cooling 27°CDB and 19°CWB indoor / 35°CDB outdoor.

When adverse weather conditions, the outdoor unit capacity can decrease. It is recommendable to oversize the units.



Characteristics



- Energy saving heat pump air curtains: Up to 70% reduction in costs and CO₂ emissions (heating mode).
- Specially designed for applications where the body of the air curtain is to be installed inside a column or bulkhead for architectural reasons. It can be vertically or horizontally mounted.
- Self-supporting casing construction made of galvanized steel plate, finished in structural epoxy-polyester painting white colour RAL9016 as standard. Other colours or stainless steel are available on request.
- The air flow of Invisair follows a straight line from the air inlet grille to the to the discharge. Inlet area inside a bulkhead or column should be designed with suitable grille provided by others.
- Anodized aluminium outlet vanes, airfoil shaped, adjustable from 0 to 15° each side.
- EC Double-inlet centrifugal fans driven by an external rotor motor and low noise level, with very low consumption efficiency fans.
- Includes direct expansion coil with sensors. Optional condensate water pump.
- CS-5DX-NE Plug&Play control with 5 speeds and telephone cable 7m included.
- Requires PANASONIC VRF Interface KIT adapted for air curtain with expansion valve and programmable control, please consult.
- Ready to connect to PANASONIC VRF outdoor heat pump unit (R410A), not included, the customer should purchase it.

Specifications

Model	Airflow m ³ /h	Panasonic Kit Interface VRF	Power Fan 230V-50Hz kW	Current Fan 230V-50Hz A	Noise Level (5 m) dB(A)	Weight kg
IECG 1500 VRF13-PA	2920	PAW-160MAH2	0,284	2,48	62	69
IECG 1500 VRF15-PA	2920	PAW-160MAH2	0,284	2,48	62	69
IECG 2000 VRF20-PA	4380	PAW-280MAH2	0,426	3,72	63	89
IECG 2000 VRF24-PA	4380	PAW-280MAH2	0,426	3,72	63	89
IECG 2500 VRF25-PA	5110	PAW-280MAH2	0,497	4,34	64	94
IECG 2500 VRF29-PA	5110	PAW-280MAH2	0,497	4,34	64	94

PANASONIC VRF compatible Outdoor Units

Mini ECOi (Heat Pump)

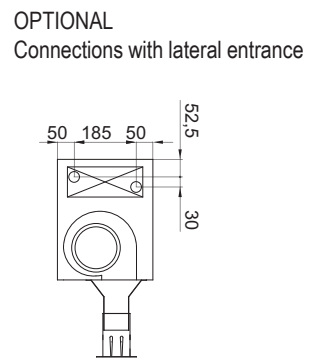
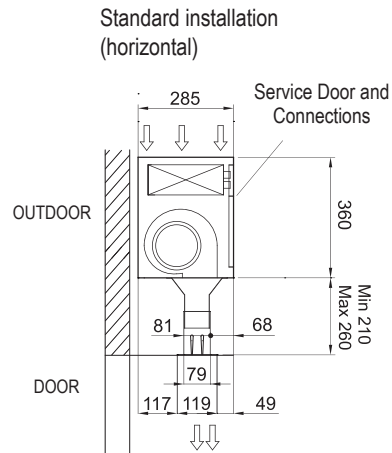
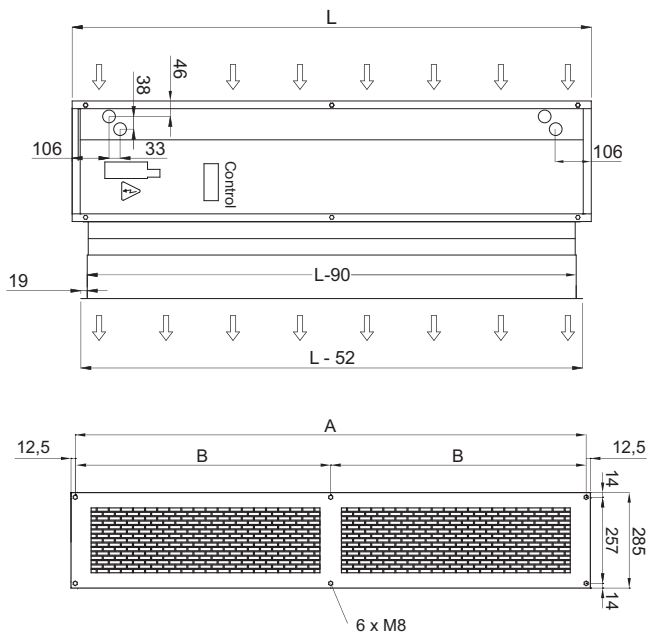
ECOi & ECOq (Heat Pump / Heat Recovery)



When adverse weather conditions, the outdoor unit capacity can decrease. It is recommendable to oversize the units.



Layouts and dimensions



Invisair	L	A	B
1500	1550	1525	762,5
2000	2055	2030	1015
2500	2555	2530	1265

Installation example

