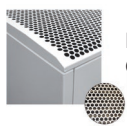




Characteristics



Industrial Grille



Decorative Grille

- Self-supporting casing construction made of galvanized steel plate, finished in structural epoxy-polyester painting white colour RAL9016 as standard. Other colours or stainless steel are available on request.
- Two frontal grille options. Industrial perforated by default (free of maintenance) or micro-perforated decorative with filter functions.
- Anodized aluminium outlet vanes, airfoil shaped, adjustable from 0 to 15° each side.
- Double-inlet centrifugal fans driven by an external rotor motor and low noise level. 5-speed selector.
- "A" type without heating, air only.
- Includes Plug&Play control with 10m RJ45 cable and infrared remote control. Optional: Clever control (programmable, automatic, intelligent, energy saving, Modbus RTU for BMS...).

Specifications

AIR ONLY

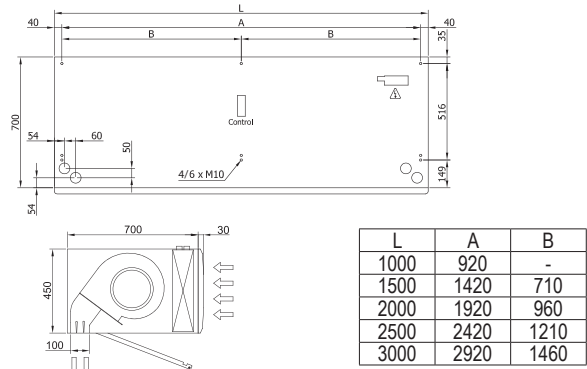
Model	Airflow m ³ /h	Power Fans 400Vx3-50Hz kW	Current Fans 400Vx3-50Hz A	Noise Level (5 m) dB(A)	Weight kg
L 1000 A 400Vx3	4260	1,20	2,60	63	72
L 1500 A 400Vx3	6400	1,80	3,90	64	108
L 2000 A 400Vx3	8660	2,40	5,20	65	145
L 2500 A 400Vx3	10650	3,00	6,50	66	177
L 3000 A 400Vx3	12780	3,60	7,80	67	213
XL 1000 A 400Vx3	5800	1,76	3,20	65	78
XL 1500 A 400Vx3	8700	2,64	4,80	66	117
XL 2000 A 400Vx3	11600	3,52	6,40	67	157
XL 2500 A 400Vx3	14500	4,40	8,00	68	192
XL 3000 A 400Vx3	17400	5,28	9,60	69	211



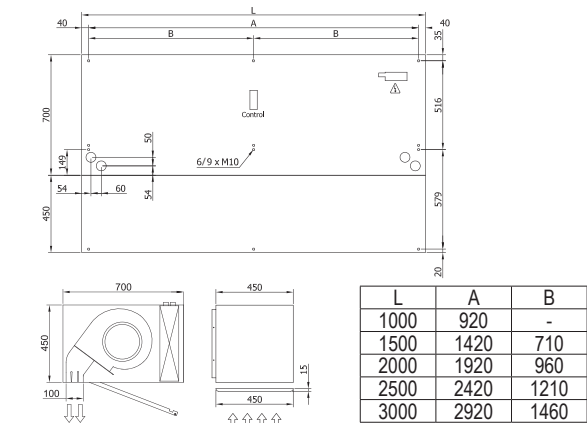
Layouts and dimensions



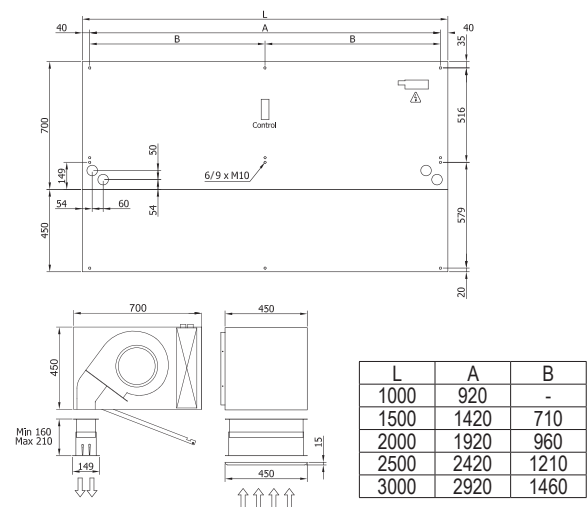
Free hanging mounting



Inside ceiling surface mounting



False ceiling invisible mounting



Insects outlet kit mounting

