



Characteristics



- Energy saving heat pump air curtains: Up to 70% reduction in costs and CO₂ emissions (heating mode).
- Specially designed for applications where the body of the air curtain is to be installed inside a column or bulkhead for architectural reasons.
- Self-supporting casing construction made of galvanized steel plate, finished in structural epoxy-polyester painting white colour RAL9016 as standard. Other colours or stainless steel are available on request.
- The air flow of Invisair follows a straight line from the air inlet grille to the discharge. Inlet area inside a bulkhead or column should be designed with suitable grille provided by others.
- Anodized aluminium outlet vanes, airfoil shaped, adjustable from 0 to 15° each side.
- EC Double-inlet centrifugal fans driven by an external rotor motor and low noise level, with very low consumption efficient fans.
- Includes direct expansion coil with sensors. Optional condensate water pump.
- CS-5DX-NE Plug&Play control with 5 speeds and telephone cable 7m included.
- Requires MITSUBISHI ELECTRIC DX Interface KIT adapted for air curtain and programmable control, please consult.
- Ready to connect to MITSUBISHI ELECTRIC Power Inverter outdoor heat pump unit (R32 / R410A) with expansion valve, not included, the customer should purchase it.

Specifications

Model	Airflow m ³ /h	Outdoor Unit (*)		Power Fans	Current Fans	Noise Level	Weight kg
		230Vx1	400Vx3	230V-50Hz kW	230V-50Hz A	(5 m) dB(A)	
IECG 1500 DX14-ME	2920	PUZ-ZM125VKA	PUZ-ZM125YKA	0,284	2,48	62	69
IECG 2000 DX22-ME	4380	-	PUHZ-ZRP200YKA	0,426	3,72	63	89
IECG 2000 DX24-ME	4380	-	PUHZ-ZRP250YKA	0,426	3,72	63	89
IECG 2500 DX27-ME	5110	-	PUHZ-ZRP250YKA	0,497	4,34	64	94

(*) Includes direct expansion valve. ZM units with gas R32 and ZRP with gas R410A.

Also compatible with Standard Inverter units PUHZ-P200YKA and PUHZ-P250YKA (R410A) and Zubadan range.

MITSUBISHI Power Inverter (*) Outdoor Units	Heating Capacity	Heating Power	SCOP or COP	Cooling Capacity	Cooling Power	SEER or EER	Power Supply	Pipes Gas	Pipes Liquid	Pipes Minimum Length	Pipes Maximum Length	Pipes Maximum Height
ZM (R32) / ZRP (R410A)	kW	kW		kW	kW			inch		m	m	m
PUZ-ZM125VKA	14,0	3,35	3,90	12,5	3,33	6,00	230Vx1	5/8	3/8	-	100	30
PUZ-ZM125YKA	14,0	3,35	3,90	12,5	3,33	5,90	400Vx3	5/8	3/8	-	100	30
PUHZ-ZRP200YKA	22,4	6,94	3,23	19,0	6,46	2,94	400Vx3	1	3/8	-	100	30
PUHZ-ZRP250YKA	27,0	8,94	3,75	22,0	8,31	2,65	400Vx3	1	1/2	-	100	30

(*) Also compatible with Standard Inverter units PUHZ-P200YKA and PUHZ-P250YKA (R410A) and Zubadan range.

Energy efficiency: SCOP/SEER seasonal ≤12kW, COP/EER >12kW.

Outdoor unit capacities depending on standard conditions: heating 20°CDB indoor / 7°CDB and 6°CWB outdoor, cooling 27°CDB and 19°CWB indoor / 35°CDB outdoor.

When adverse weather conditions, the outdoor unit capacity can decrease. It is recommendable to oversize the units.



Characteristics



- Energy saving heat pump air curtains: Up to 70% reduction in costs and CO₂ emissions (heating mode).
- Specially designed for applications where the body of the air curtain is to be installed inside a column or bulkhead for architectural reasons.
- Self-supporting casing construction made of galvanized steel plate, finished in structural epoxy-polyester painting white colour RAL9016 as standard. Other colours or stainless steel are available on request.
- The air flow of Invisair follows a straight line from the air inlet grille to the discharge. Inlet area inside a bulkhead or column should be designed with suitable grille provided by others.
- Anodized aluminium outlet vanes, airfoil shaped, adjustable from 0 to 15° each side.
- EC Double-inlet centrifugal fans driven by an external rotor motor and low noise level, with very low consumption efficient fans.
- Includes direct expansion coil with sensors. Optional condensate water pump.
- CS-5DX-NE Plug&Play control with 5 speeds and telephone cable 7m included.
- Requires MITSUBISHI ELECTRIC VRF Interface KIT adapted for air curtain with expansion valve and programmable control, please consult.
- Ready to connect to MITSUBISHI ELECTRIC VRF outdoor heat pump unit (R410A), not included, the customer should purchase it.

Specifications

Model	Airflow m ³ /h	Power Fans 230V-50Hz kW	Current Fans 230V-50Hz A	Noise Level (5 m) dB(A)	Weight kg	Mitsubishi Electric Kit Interface VRF (*)
IECG 1500 VRF13-ME	2920	0,284	2,48	62	69	PAC-AH125M-J
IECG 1500 VRF15-ME	2920	0,284	2,48	62	69	PAC-AH125M-J
IECG 2000 VRF20-ME	4380	0,426	3,72	63	89	PAC-AH250M-J
IECG 2000 VRF24-ME	4380	0,426	3,72	63	89	PAC-AH250M-J
IECG 2500 VRF25-ME	5110	0,497	4,34	64	94	PAC-AH250M-J
IECG 2500 VRF29-ME	5110	0,497	4,34	64	94	PAC-AH250M-J

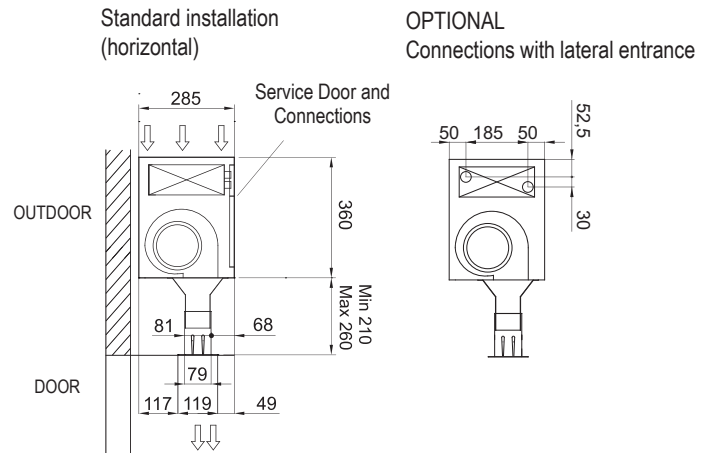
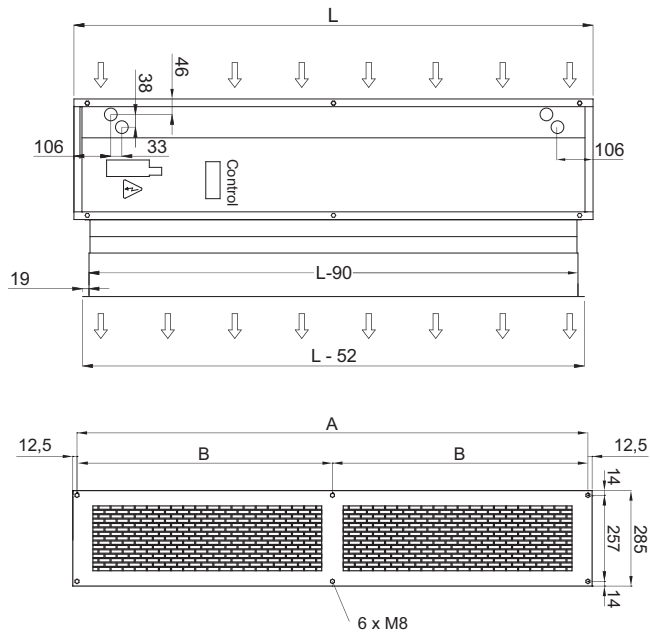
(*) Includes direct expansion valve.

MITSUBISHI ELECTRIC VRF compatible Outdoor Units	
Range	Series
City Multi	Y (Heat Pump)
City Multi	R2 (Heat Recovery)

When adverse weather conditions, the outdoor unit capacity can decrease. It is recommendable to oversize the units.



Layouts and dimensions



Invisair	L	A	B
1500	1550	1525	762,5
2000	2055	2030	1015
2500	2555	2530	1265

Installation example

