



## Technical features



Stainless steel  
(standard)



RAL 9016



Aqua Aero coating  
on request



Other colors  
on request



Range  
Up to 5 m



Chamber temperature  
>0°C to -40°C



Casing  
Stainless Steel /  
Galvanised steel



Airflow / Length  
5900 - 16800 m³/h  
1 m to 3 m



Protection grade  
Duojet IP55  
Kool IP20  
Electronics IP65 box



Grille type  
Circular perforated



Fans  
Centrifugal  
5-speed



Control  
Clever Control  
IP65 box



Outlet vanes  
Aluminium, airfoil type  
Adjustable 0-15° each side

The TRIOJET SYSTEM is specially designed for doors of cold rooms and industrial freezers with a large thermal leap. Highly efficient climatic separation against thermal losses caused by the large temperature difference (short payback period) using a barrier with 3 air jets. It reduces the risk of accidents because it eliminates ice from the ground at the entrance and reduces fog.

System composed of two air curtains: special Duojet air curtain with plenum and Kool curtain. The result is 3 jets together at different temperatures and different speeds that do not mix, achieving efficient separation. It needs a structure with side walls to cover 100% of the opening with the 3 jets (structure not included, must be provided by others).

Duojet air curtain with AC IP55 centrifugal fans and Kool with EC fans, both double inlet, driven by external rotor motors with low noise level and reduced consumption. Includes electric heater with 3 power stages with integrated regulation.

Triojet is automatically fully controlled by Clever Control. Electronics and control protected inside IP65 boxes. Plug & Play connections. Ready for BMS connection via Modbus RTU.

### ⚡ ELECTRIC HEATED

Model	Airflow 230V		Ventilation power 230V		Ventilation current 230V		Electrical Heating Capacity (*) 400Vx3~50/60Hz kW	Noise Level (5 m) dBA	Weight kg
	50Hz m³/h	60Hz m³/h	50Hz kW	60Hz kW	50Hz A	60Hz A			
TRIOJET SYSTEM 1000	5900	5620	1,08	1,54	5,75	6,87	3/6/9	62	125
TRIOJET SYSTEM 1500	8400	8240	1,58	2,27	8,30	9,98	4/8/12	63	182
TRIOJET SYSTEM 2000	11800	11240	2,16	3,07	11,50	13,74	6/12/18	64	234
TRIOJET SYSTEM 2500	14300	13600	2,66	3,81	14,05	16,85	6/12/18	65	275
TRIOJET SYSTEM 3000	16800	15960	3,17	4,54	16,60	19,96	8/16/24	66	314

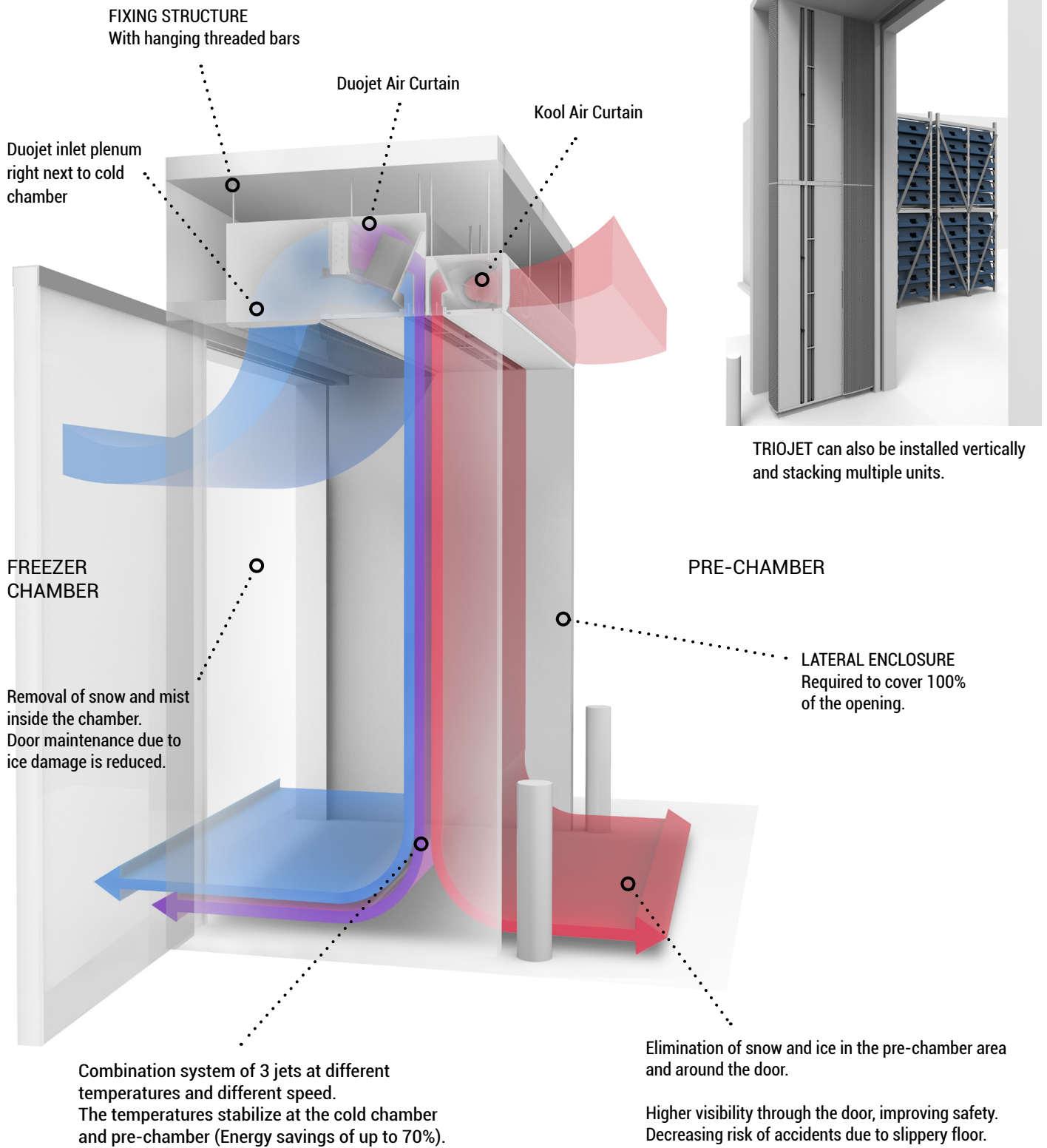
(\*) For a standard cold chamber and pre-chamber (-20°C / 5°C). Special electrical heater adapted for each installation.



Selection program



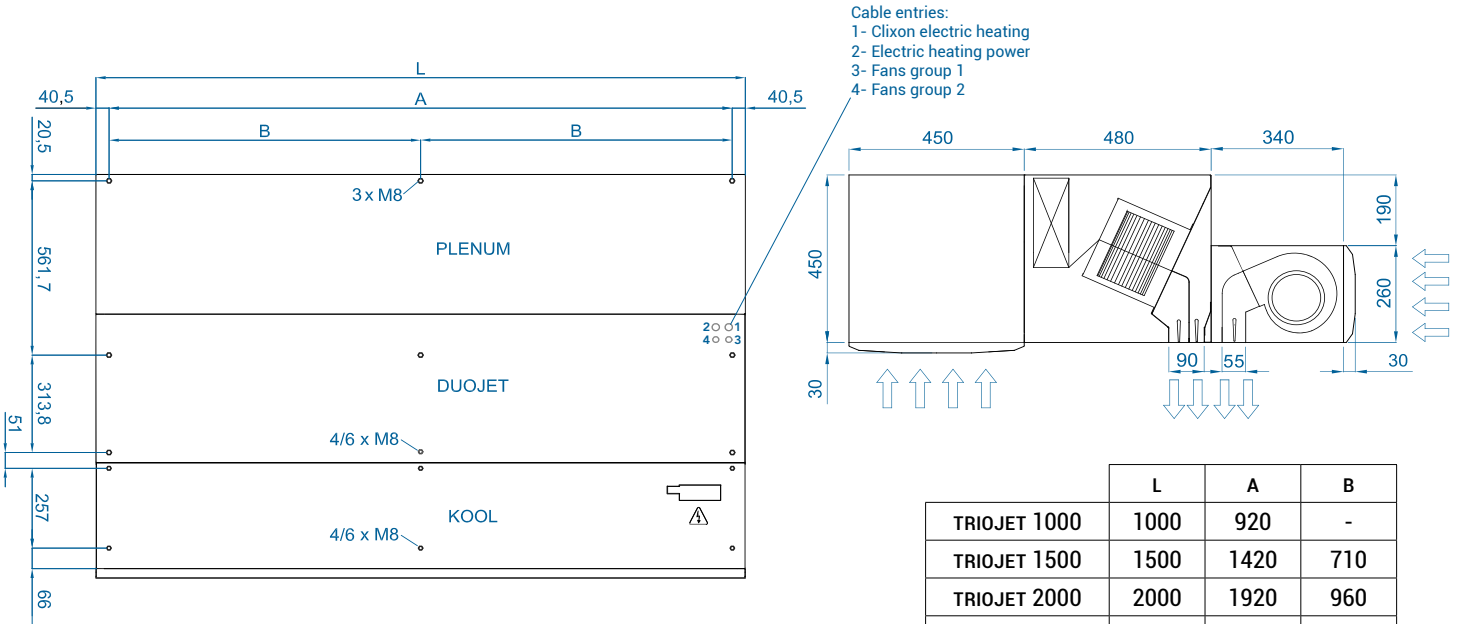
## Infographics



**WATCH VIDEO**



## Dimensions



	L	A	B
TRIOJET 1000	1000	920	-
TRIOJET 1500	1500	1420	710
TRIOJET 2000	2000	1920	960
TRIOJET 2500	2500	2420	1210
TRIOJET 3000	3000	2920	1460

## Optional accessories

### Supports and installation



Silentblock supports  
SPANG-SIL / SLB



Suspension cables  
SPCT



Foot support SPF-TRIO  
(Galv. / SS)

### Control



Triojet connection box  
✓ Included



Clever Control Kit  
✓ Included



IP65 Box Clever Control TFT  
✓ Included

### Sensors



Mechanical door contact  
MEC-DC



Sensor de temperatura  
externa (Clever Control)

CAD drawings, BIM files, installation  
manuals and other documentation

